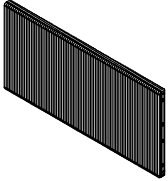


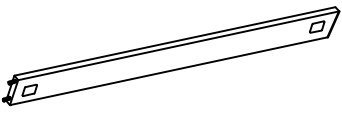
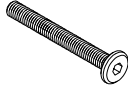





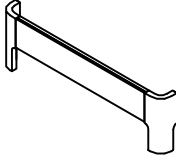
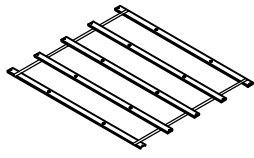
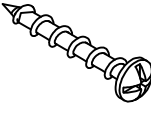
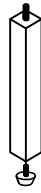

Warning :

- Be sure to check all packing material carefully for small parts, which may have come loose inside the carton during shipment.
- To prevent possible scratches and damage, this furniture **MUST BE ASSEMBLED BY TWO PEOPLE** on a soft surface such as a blanket or carpet.

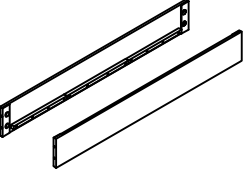
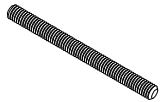



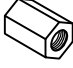
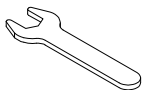
Hardware and Parts packed with the Headboard

| | | | |
|--|---|--|--|
| King Upholstered Headboard 42580  (H-A) 1 pc. | Headboard Post (Left)  (H-B) 1 pc. | Headboard Post (Right)  (H-C) 1 pc. | Stretcher Headboard  (H-D) 1 pc. |
| Allen Head Bolt Ø5/16"-18 x 2-3/16"  (H-E) 10 pcs. | Spring Washer Ø5/16" x Ø13  (H-F) 10 pcs. | Flat Washer Ø5/16" x Ø19  (H-G) 10 pcs. | Allen Key M4 x 2-1/2"  (H-H) 1 pc. |

Hardware and Parts packed with the Footboard

| | | | | |
|---|--|---|--|---|
| King Panel Footboard 42581  (F-A) 1 pc. | Wood Slat 78" Long  (F-B) 1 Set. | Wood Screw #4 x 35mm  (F-C) 10 pcs. | Support Leg 1-1/4" x 1-1/4" x 11"  (F-D) 10 pcs. | Screw Driver not included  |
|---|--|---|--|---|

Hardware and Parts packed with the Bed Rails

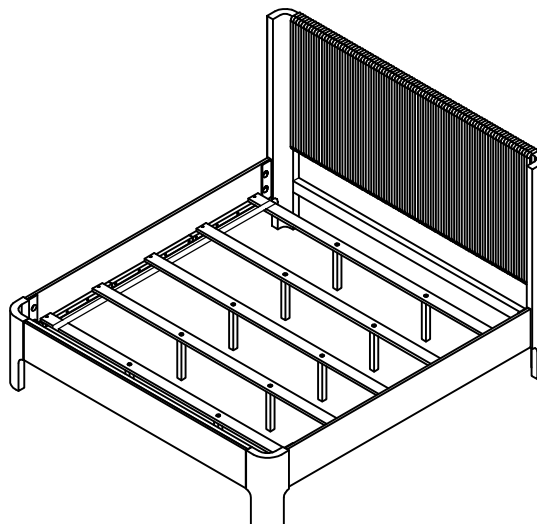
| | | | | | | |
|--|--|--|--|--|---|--|
| Panel Side Rails - 42572  (R-A) 2 pcs. | All-Thread Bolt Ø5/16"-18 x 2-15/16"  (R-B) 8 pcs. | Arc Washer 37x17mm  (R-C) 8 pcs. | Spring Washer Ø5/16" x Ø13mm  (R-D) 8 pcs. | Flat Washer Ø5/16" x Ø16mm  (R-E) 8 pcs. | Hex Nut Ø5/16" x 18mm  (R-F) 8 pcs. | Open Wrench 13 mm  (R-G) 1 pc. |
|--|--|--|--|--|---|--|

6/6 King Bed

42580 -- 6/6 Uph Headboard

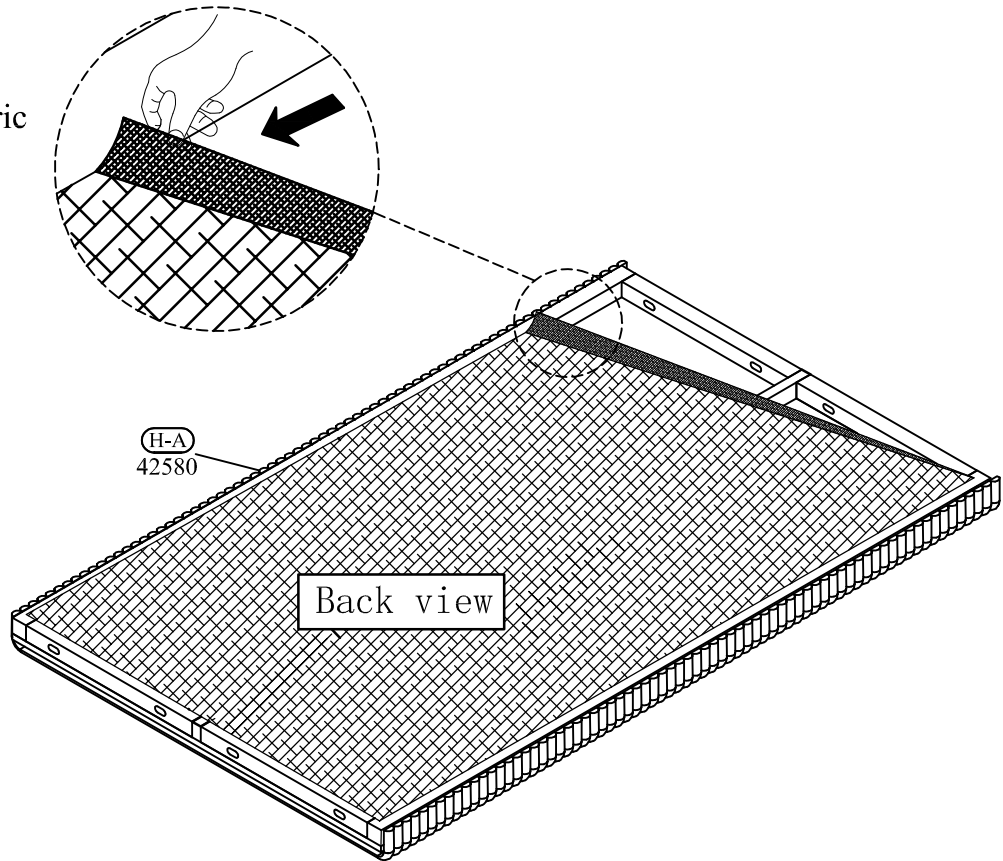
42581 -- 6/6 Footboard

42572 -- 5/0 - 6/6 Bed Rails

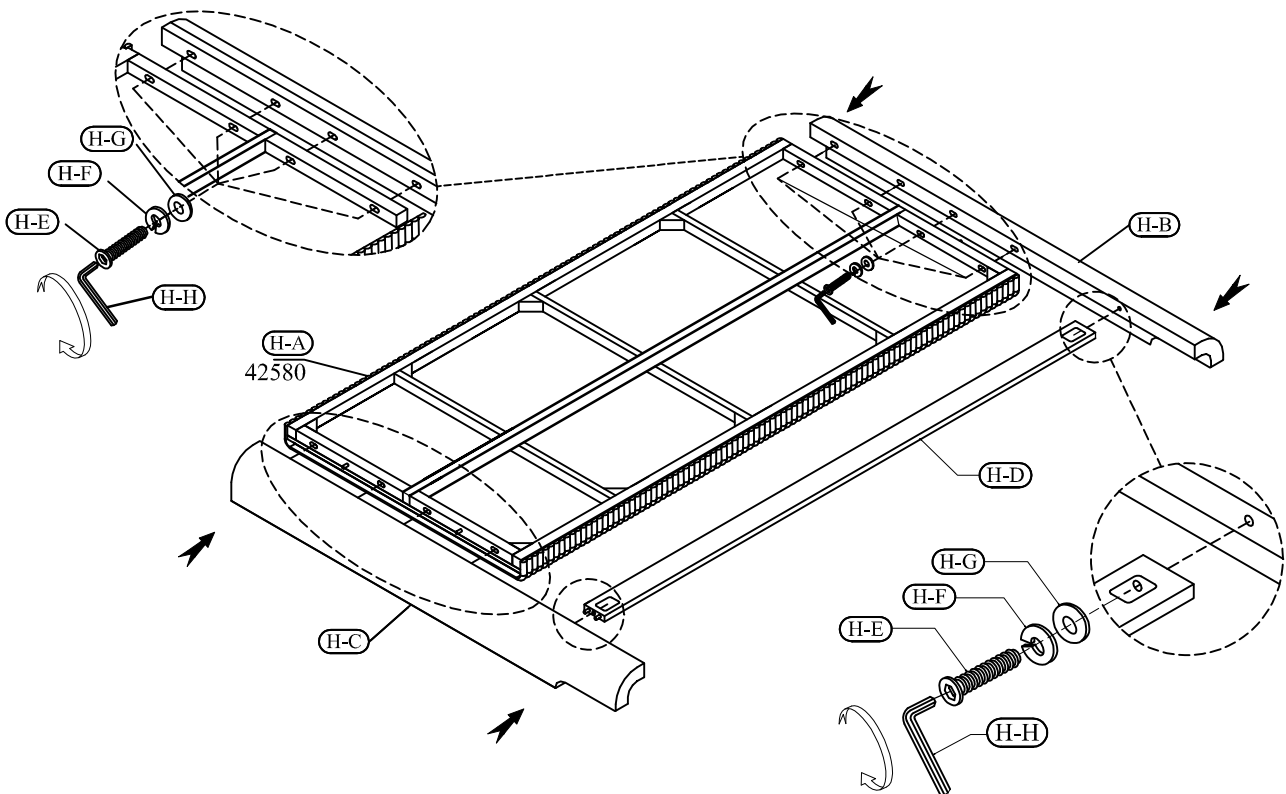


STEP 1

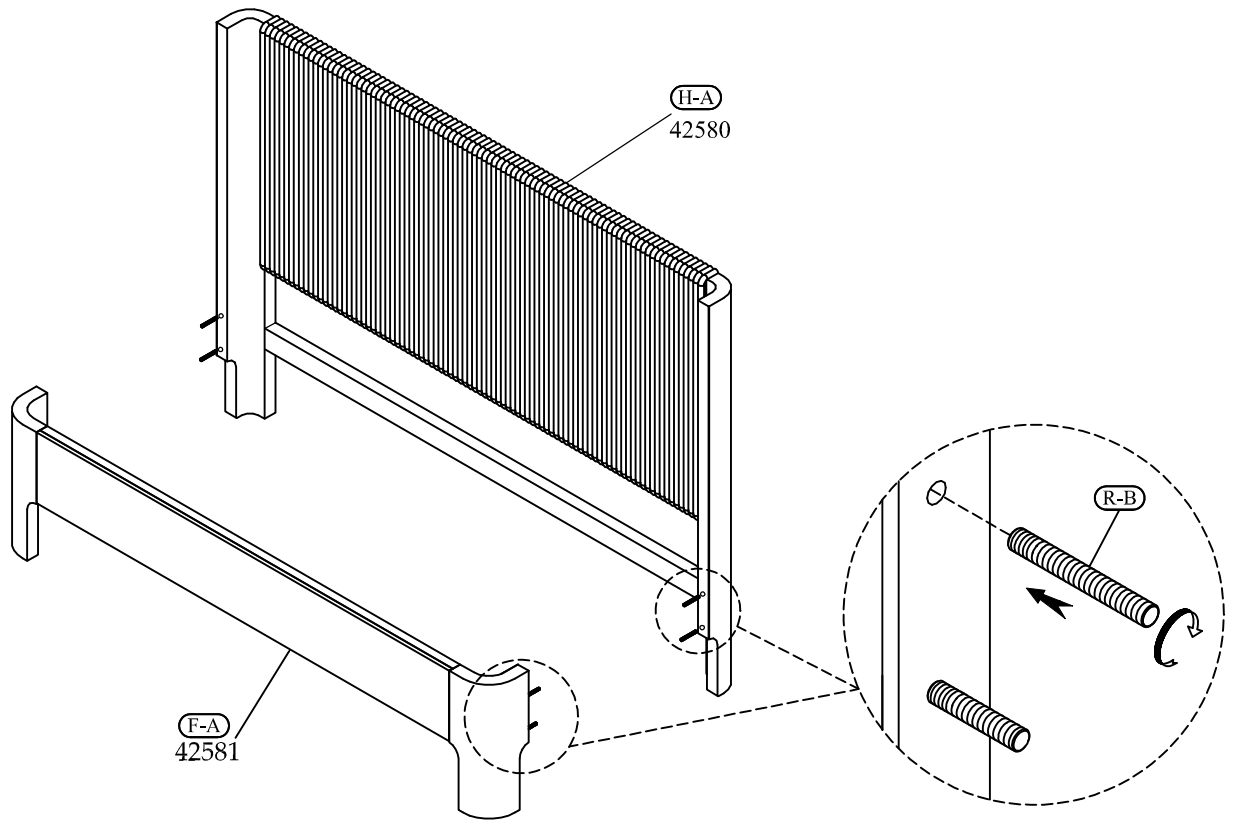
Open the back fabric



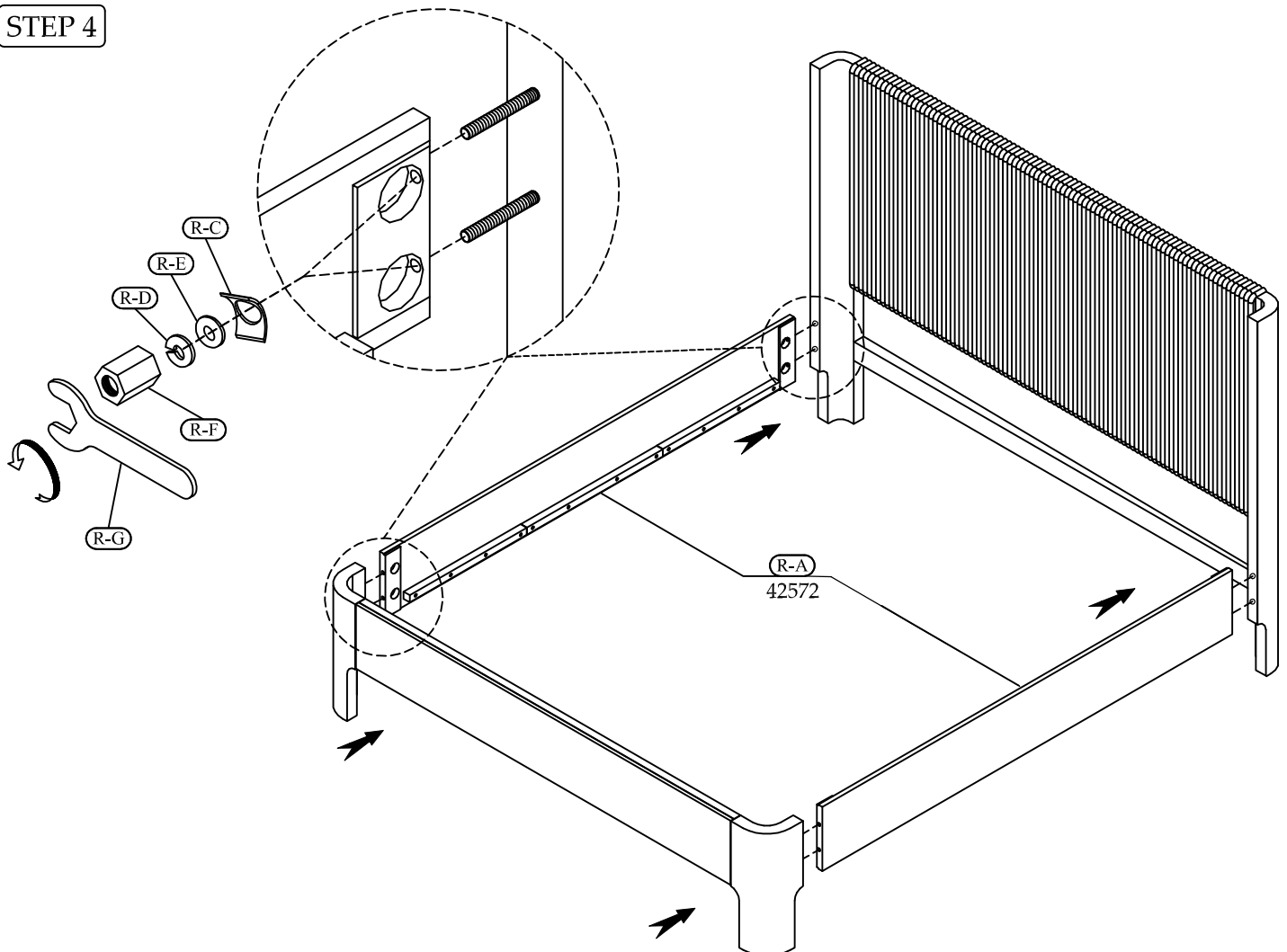
STEP 2



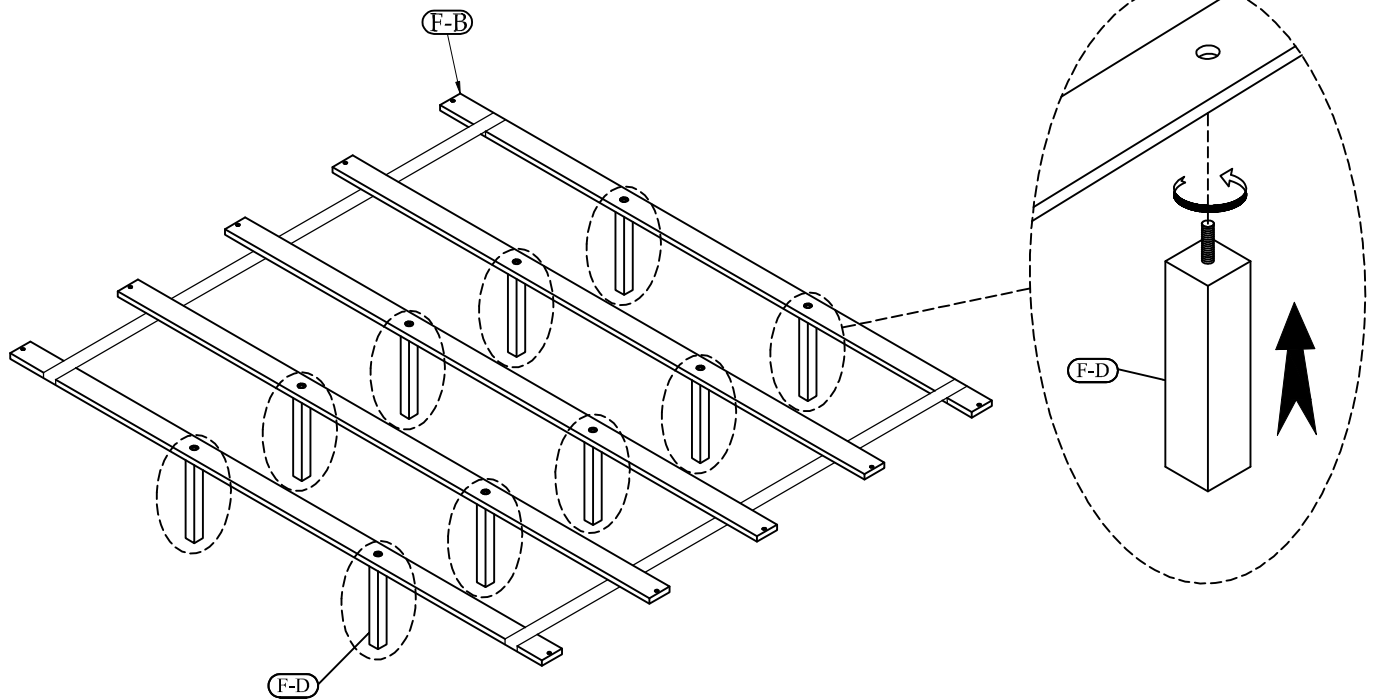
STEP 3



STEP 4



STEP 5



STEP 6

